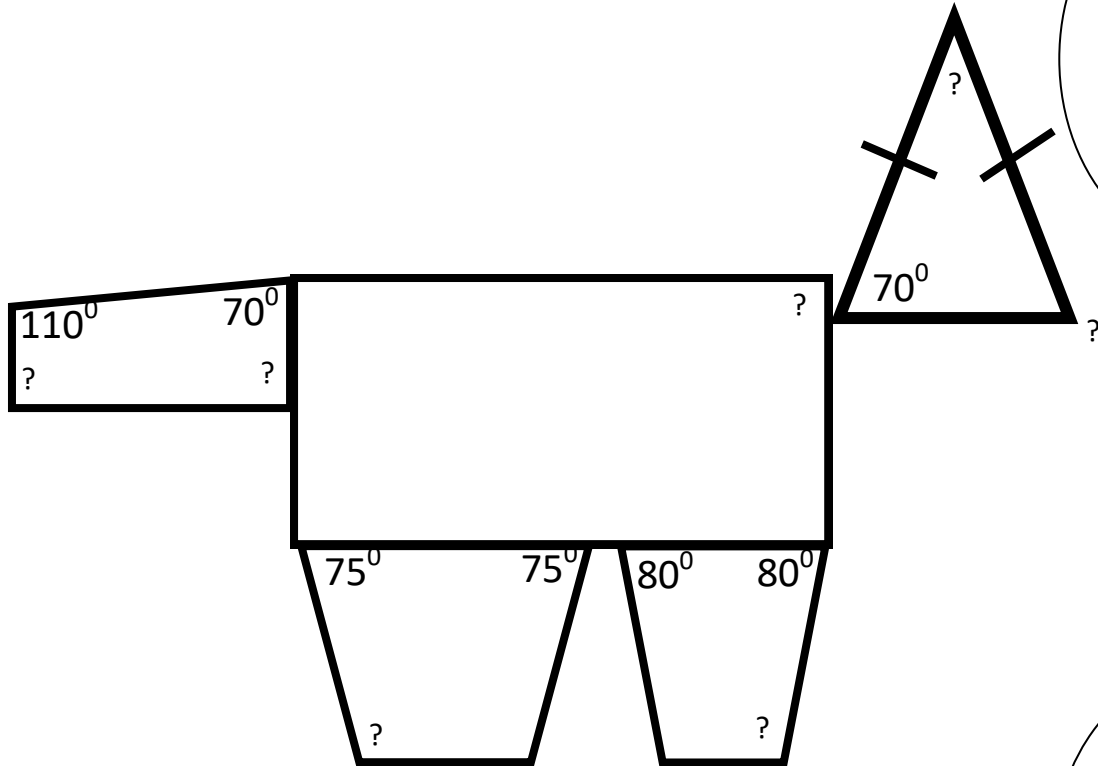
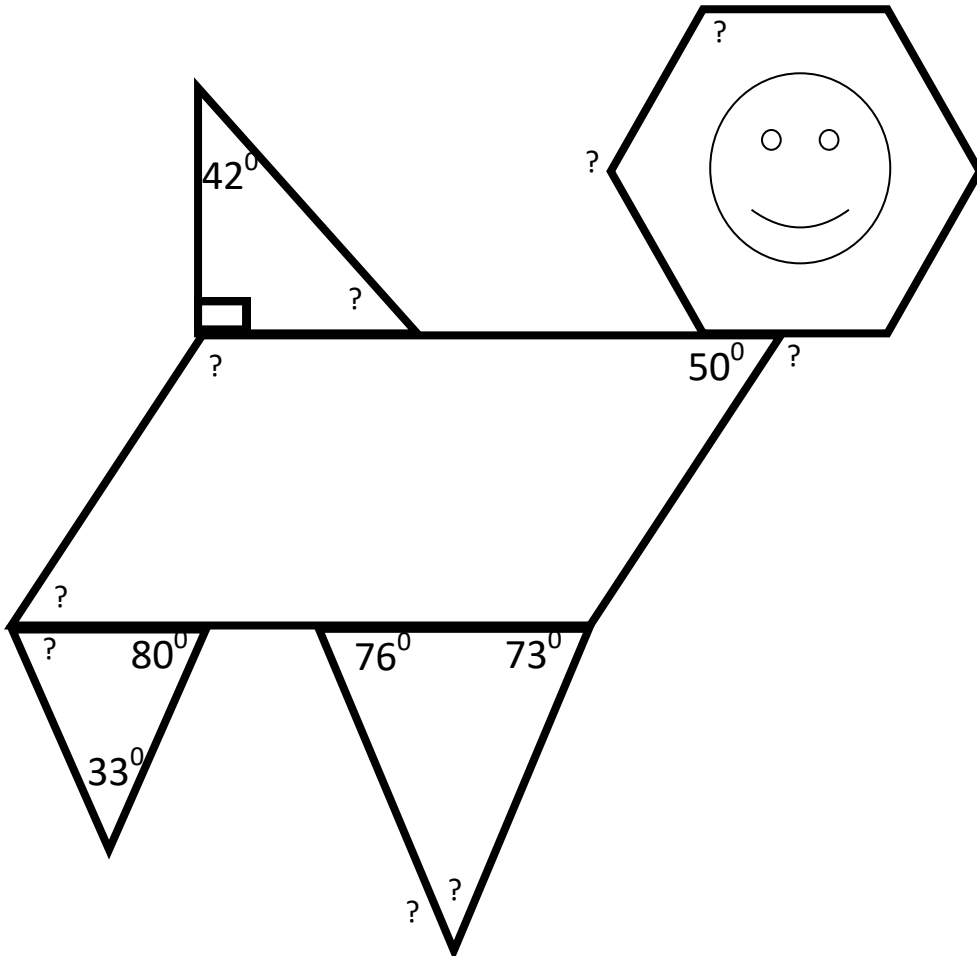


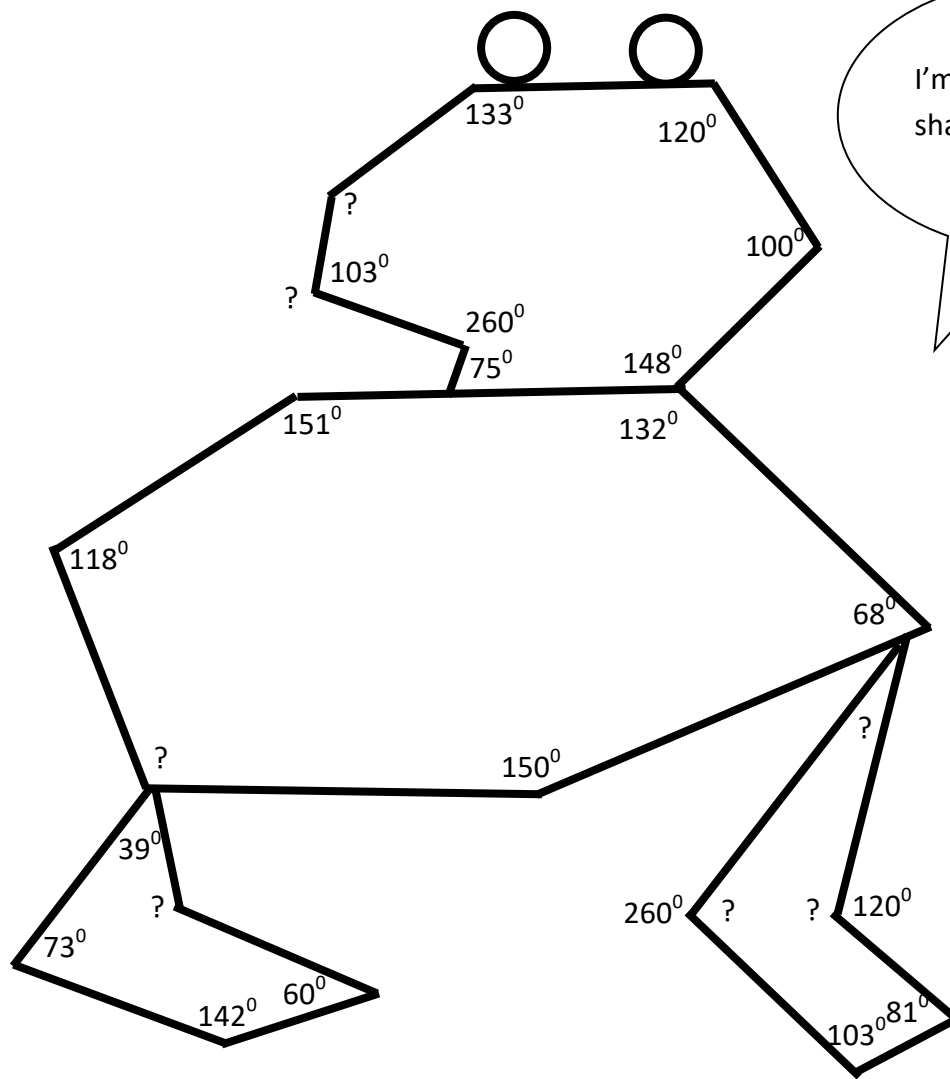
Angle animals Calculate the missing angles!



I'm made of a rectangle, 3 trapeziums and a triangle! Baaaaaa!



I'm made of a parallelogram, 3 triangles and a regular hexagon! Woof!



I'm made of irregular shapes. Ribbett!

Extension task:

Create your own angle animal below!