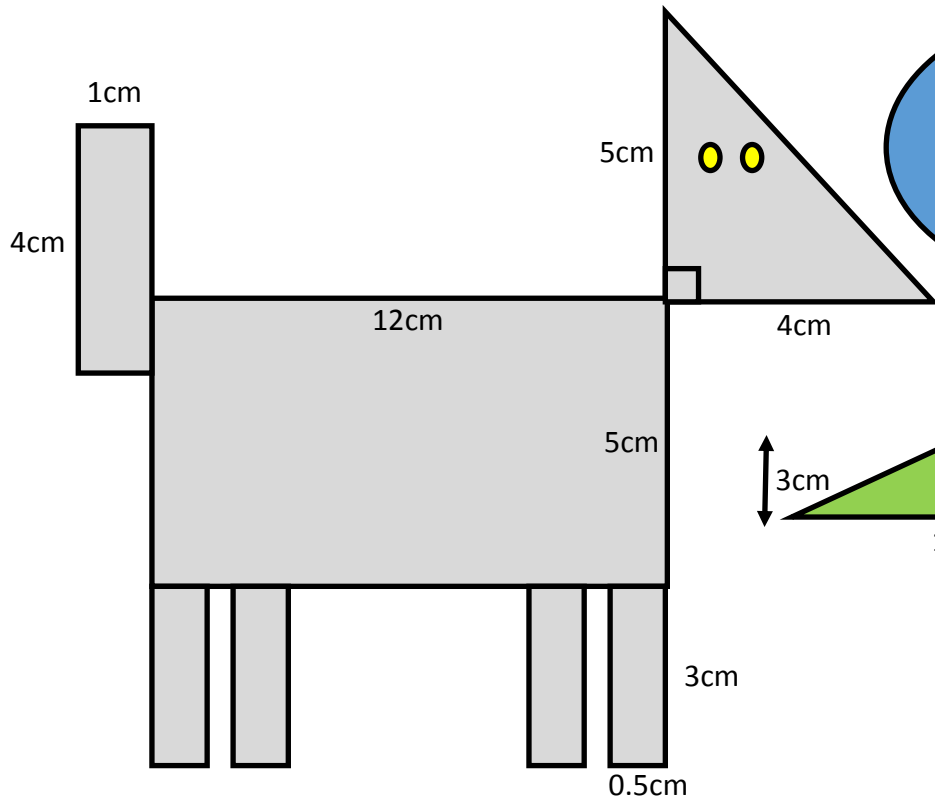
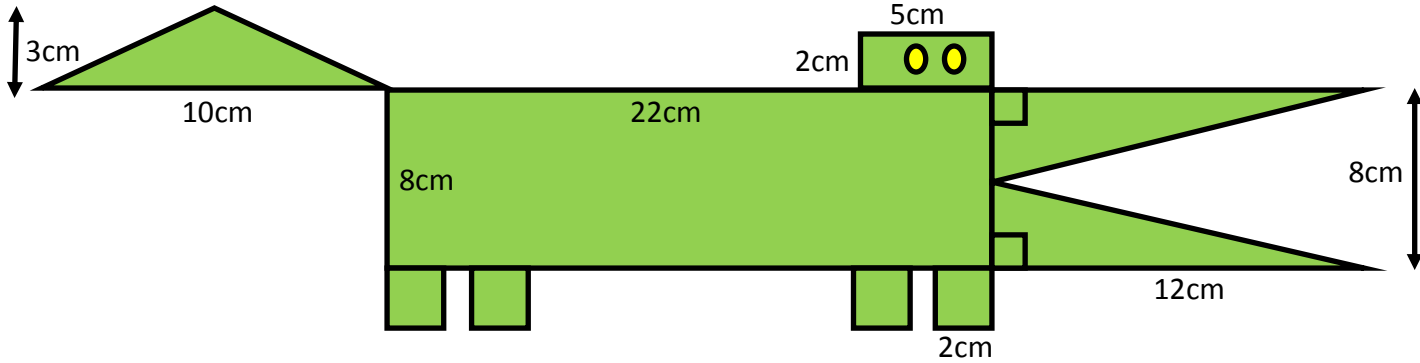


What: To work out areas of shapes made from rectangles, squares, triangles and parallelograms



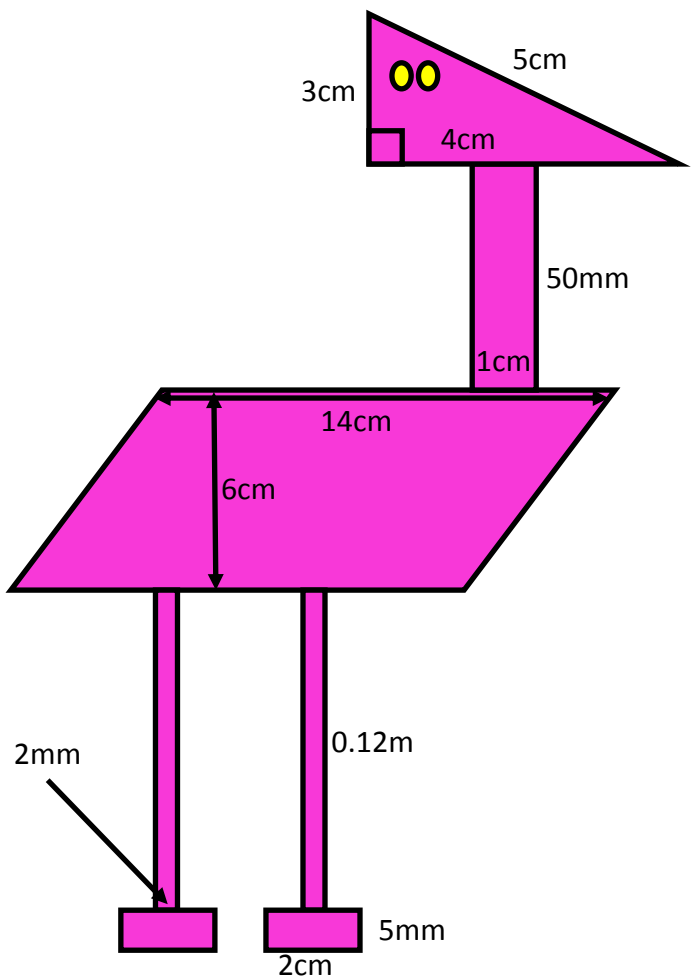
Baaaa! I'm not drawn to scale. Please work out my area! I'm made of a right-angled triangle and rectangles!

Work my area out and make it snappy! I'm made of two rectangles, four squares for legs and some triangles! I'm not drawn to scale either! My jaws are identical triangles!



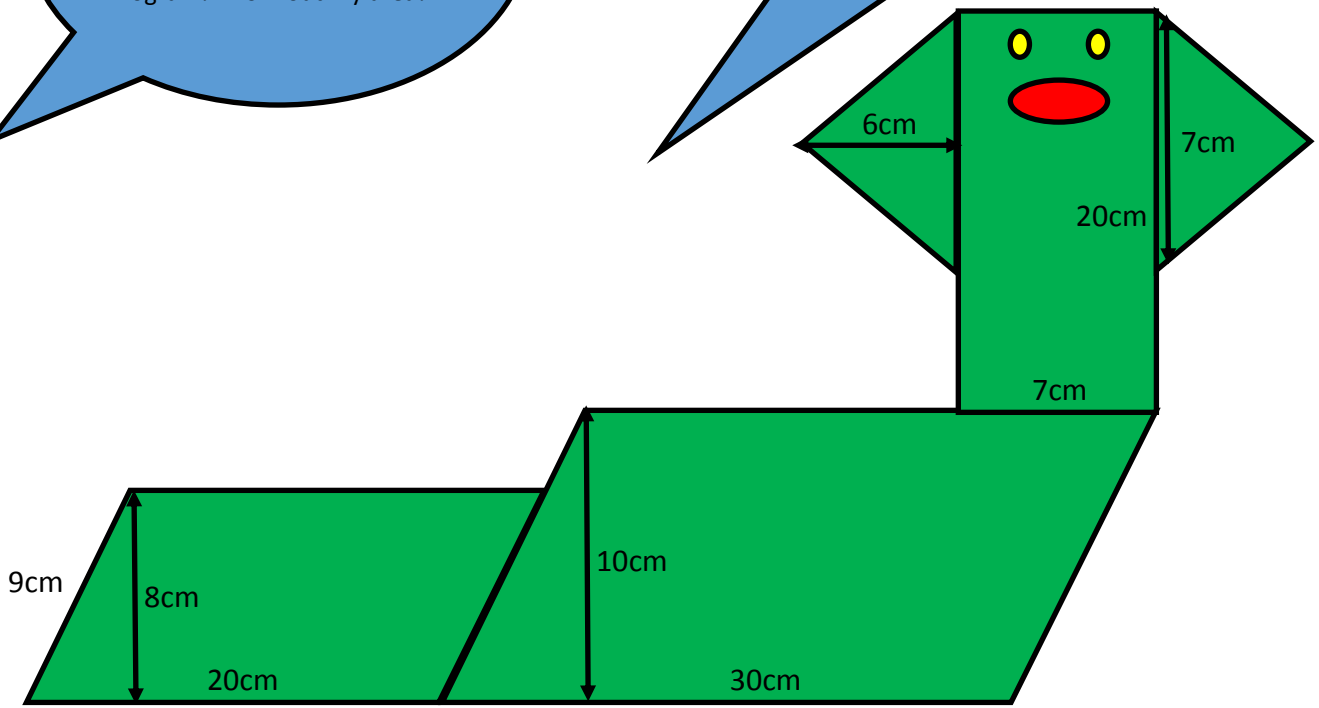
Body part	Area
Head	
Body	
Tail	
Legs (all are identical)	
TOTAL AREA	

Body part	Area
Tail	
Body	
Legs (all are identical)	
Head	
Jaws	
TOTAL AREA	



Squawk! My legs and feet are congruent (identical!) and I'm made from rectangles, a right-angled triangle and a parallelogram! Work out my area!

Work out my area if you can! I'm made of parallelograms, a rectangle and two congruent (identical) triangles.....sssss!



Body part	Area
Head	
Body	
Neck	
Legs (both congruent)	
Feet (both congruent)	
TOTAL AREA	

Body part	Area
Tail	
Body	
Head	
Ears (both congruent)	
TOTAL AREA	